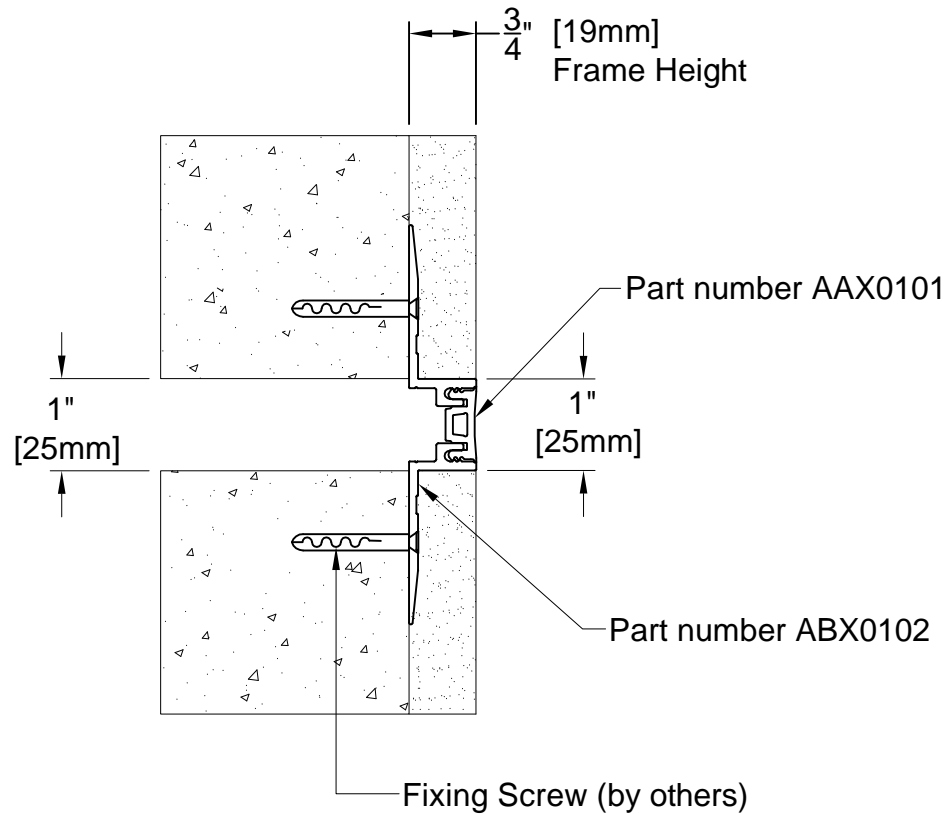


# ABS01 SYSTEM



TECHNICAL DATA	IMPERIAL (inc)	METRIC (mm)
Joint Width	1"	25
Movement ± (Horizontal)	1/4"	6
Movement ± (Vertical)	1/4"	6

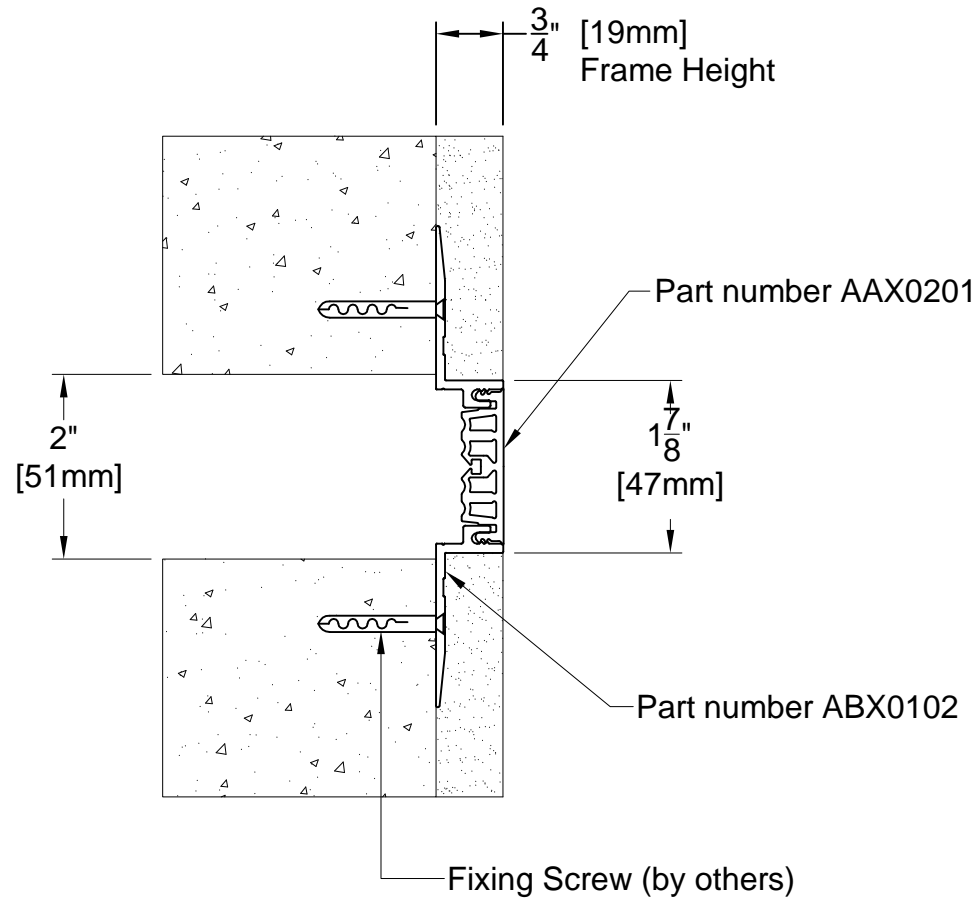
Date: Jan., 2012	Scale: NTS
Rev:	Drawn by :

**APPLICATION:**  
INTERNAL EXPANSION JOINT COVER FOR  
WALL TO WALL / CEILING TO CEILING



**PROSPEC SPECIALTIES INC.**  
3601 HIGHWAY 7, SUITE 400  
MARKHAM ON L3R 0M3, CANADA.  
TEL: (888) - 749 - 8456,  
FAX: (888) - 749 - 8455  
Email: info@prospecspecialties.com  
Web: prospectspecialties.com

# ABS02 SYSTEM



TECHNICAL DATA	IMPERIAL (inc)	METRIC (mm)
Joint Width	2"	51
Movement ± (Horizontal)	1/2"	13
Movement ± (Vertical)	1/2"	13

Date: Jan., 2012 Scale: NTS

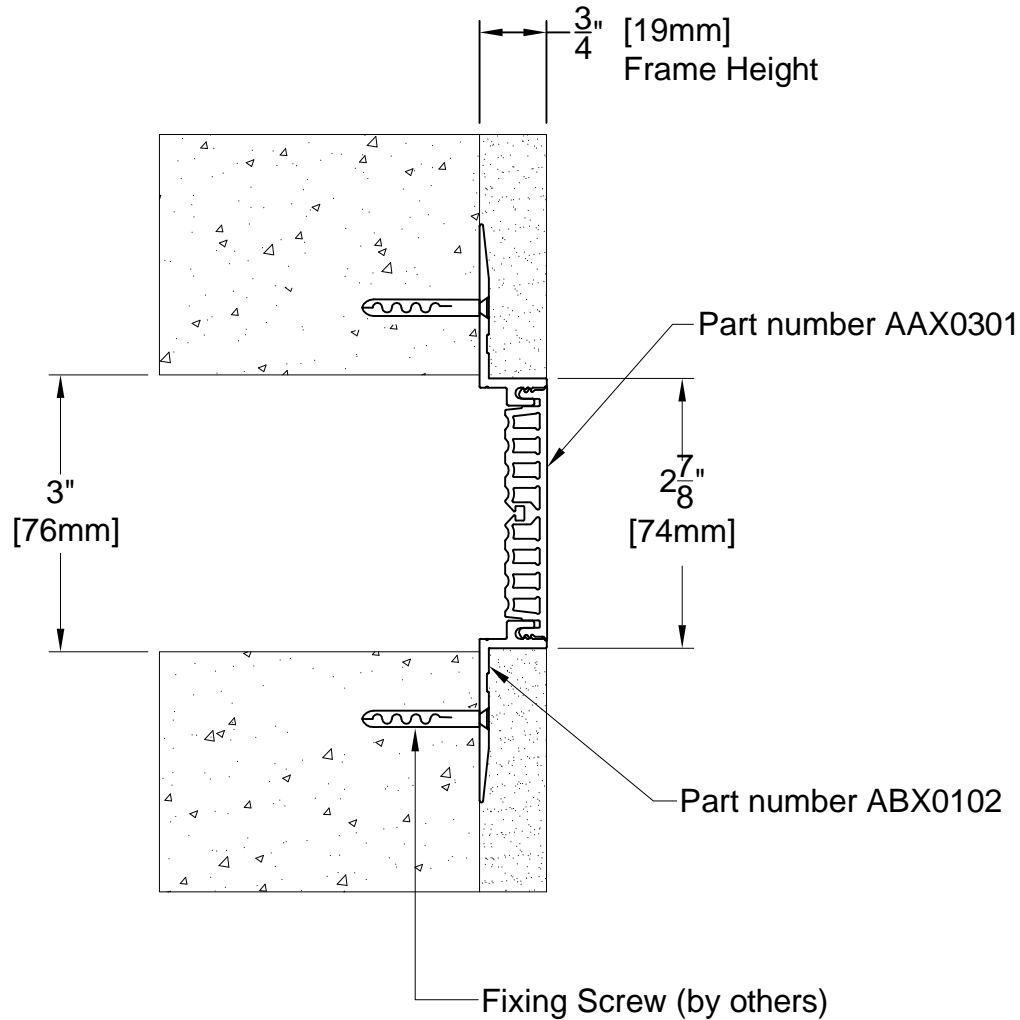
Rev: Drawn by :

**APPLICATION:**  
INTERNAL EXPANSION JOINT COVER FOR  
WALL TO WALL / CEILING TO CEILING



**PROSPEC SPECIALTIES INC.**  
3601 HIGHWAY 7, SUITE 400  
MARKHAM ON L3R 0M3, CANADA.  
TEL: (888) - 749 - 8456,  
FAX: (888) - 749 - 8455  
Email: info@prospecspecialties.com  
Web: prospectspecialties.com

# ABS03 SYSTEM



TECHNICAL DATA	IMPERIAL (inc)	METRIC (mm)
Joint Width	3"	76
Movement ± (Horizontal)	3/4"	19
Movement ± (Vertical)	3/4"	19

Date: Jan., 2012      Scale: NTS

Rev:      Drawn by :

**APPLICATION:**  
INTERNAL EXPANSION JOINT COVER FOR  
WALL TO WALL / CEILING TO CEILING



**PROSPEC SPECIALTIES INC.**  
3601 HIGHWAY 7, SUITE 400  
MARKHAM ON L3R 0M3, CANADA.  
TEL: (888) - 749 - 8456,  
FAX: (888) - 749 - 8455  
Email: info@prospecspecialties.com  
Web: prospectspecialties.com