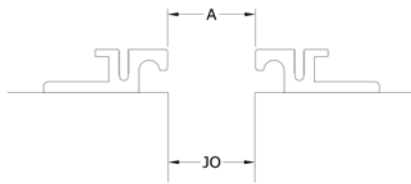


AL Series

Note: Verify that the structural gap and blockout dimensions are in conformance with submittal data before beginning installation. If this is a fire rated assembly, install the fire barrier before the architectural joint system. Refer to the fire barrier instructions for specific system installation.



JO	A
1"(25mm)	25mm
2"(51mm)	51mm
3"(76mm)	76mm
4"(102mm)	102mm

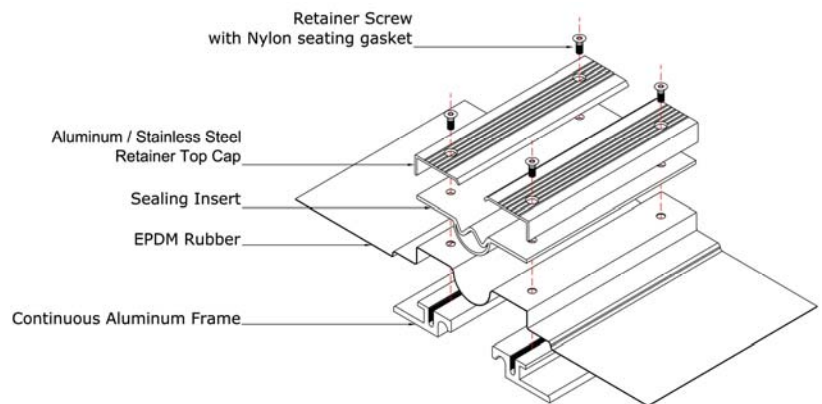
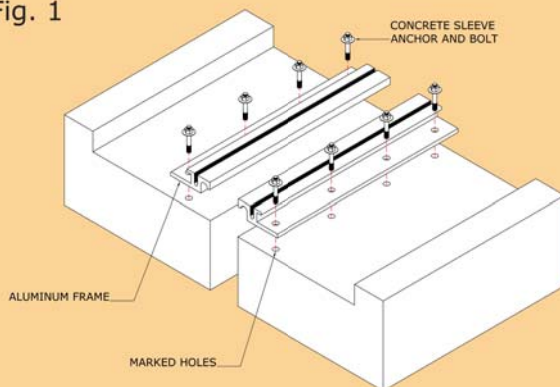


Fig. 1



1. Install the architectural joint system on a level surface within the blockout. Make sure that the top surface of the system is level with the finished floor heights. This may require adding leveling compound to raise the tops of the system surface.

Fig. 1

2. Cut the aluminum components to the desired length.
3. Align both ends of the frames within the blockout, ensuring the frame bases do not extend over the structural gap.
4. Mark the pre-drilled hole locations on the substrate and remove from the blockout.
5. Drill holes in the blockout using a 5/16" (8mm) concrete drill bit to a 2 1/2" (63mm) depth.
6. Return the frame into position over the drilled hole locations and secure using 5/16" x 2 1/2" hex head concrete sleeve anchors.

Fig. 2

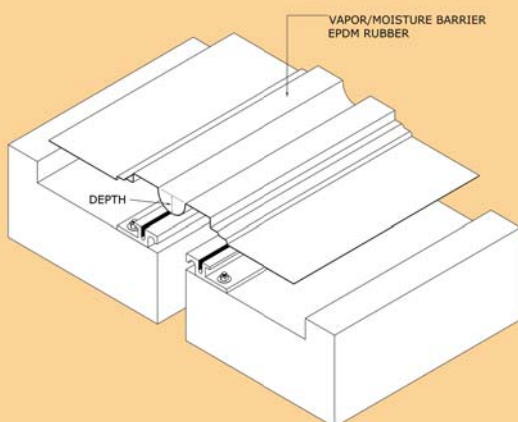


Fig. 2

7. Lay the EPDM Rubber on top of the aluminum frames. Make sure to leave enough depth of the rubber between the aluminum frames to accommodate the Sealing Insert. Extend the width of the EPDM rubber(both sides) to the blockout at least 200mm from the gap.



AL Series

Fig. 3

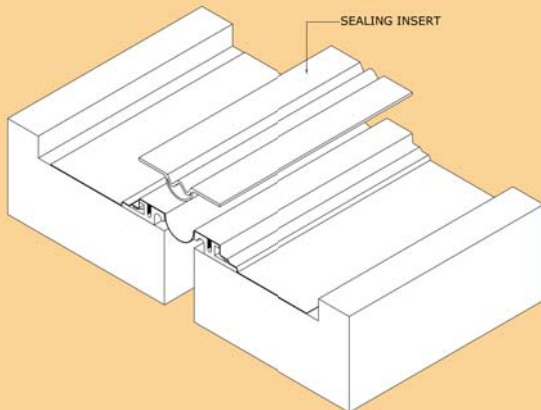


Fig. 3

8. Lay the Sealing Insert on the top of the EPDM rubber, make sure that it is properly aligned over the center of the gap.

Fig. 4

9. Position the Aluminum or Stainless Steel retainer top cap, using the pre-drilled holes over the Aluminum or Stainless Steel retainer top cap, secure using the retainer screw.

Fig. 4

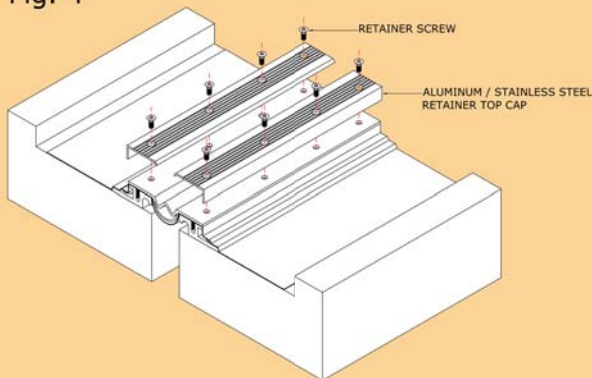


Fig. 5

10. Fill the blockout with elastomeric concrete to the top of the Aluminum / Stainless Steel top cap and floor.

11. Clean the exposed surfaces with a non-solvent cleaner such as 409 as required.

Fig. 6

12. In case of Floor to Wall application, bend wall side wing of Sealing Insert upward, extend the EPDM rubber same height as the wing. Use glue to hold both the Sealing Insert and EPDM rubber in place and cover with aluminum flashing and secure using screw.

Fig. 5

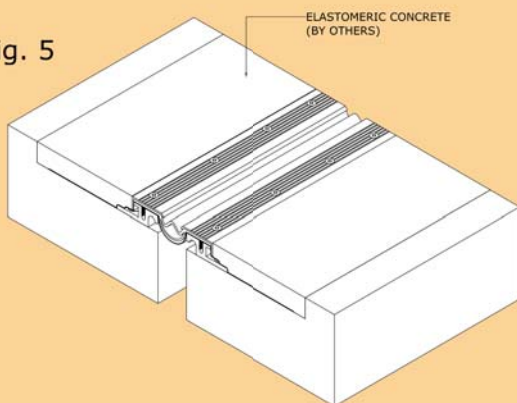


Fig. 6

