

**Product and Company Identification**

Product Name: **DC Series**  
 Manufacturer's Name: **Prospec Specialties Inc.**  
 Suite 400, 3601, Highway 7,  
 Markham ON, L3R 0M3, Canada  
 Emergency #: (888) 749-8456  
 Date Prepared: June, 2013

**Table 1: System Details**

Application	Code	JO	SH	SW	WH	± Movement (%)			Load (Ton)
		Millimeter				Horizontal	Vertical	Shear	
Straight ( S )	DCS 02	51	32	102	*	50	50	Excellent	*
	DCS 03	76	32	140	*	50	50	Excellent	*
	DCS 04	102	32	178	*	50	50	Excellent	*
	DCS 06	152	32	254	*	50	50	Excellent	*
	DCS 08	203	32	330	*	50	50	Excellent	*
	DCS 12	305	32	483	*	50	50	Excellent	*
Corner ( C )	DCC 02	51	32	98	51	50	25	Excellent	*
	DCC 03	76	32	127	51	50	25	Excellent	*
	DCC 04	102	32	164	51	50	25	Excellent	*
	DCC 06	152	32	242	51	50	25	Excellent	*
	DCC 08	203	32	317	51	50	25	Excellent	*
	DCC 12	305	32	469	51	50	25	Excellent	*

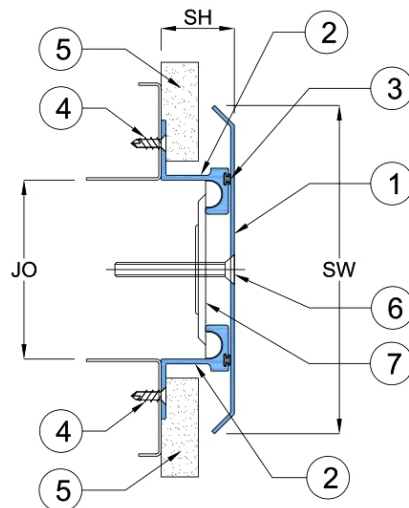
**JO** = Joint Opening  
**WH** = Wall Height

**SH** = System Height

**SW** = Sight Width

**Key to System Features (Straight Application)**

1. Continuous Aluminum Center Plate  
Grade 6063-T6
2. Continuous Aluminum Recessed frame,  
Grade 6063-T6
3. Extruded Elastomeric Seals
4. Fixing Screw (by others)
5. Gypsum dry wall (by others)
6. Flat Head Center Screw
7. Steel Centering Bar



**Key to System Features (Corner Application)**

1. Continuous Aluminum Corner Plate  
Grade 6063-T6
2. Continuous Aluminum Recessed frame,  
Grade 6063-T6
3. Extruded Elastomeric Seal
4. Fixing Screw (by others)
5. Gypsum dry wall (by others)
6. Concrete Wall (by others)

