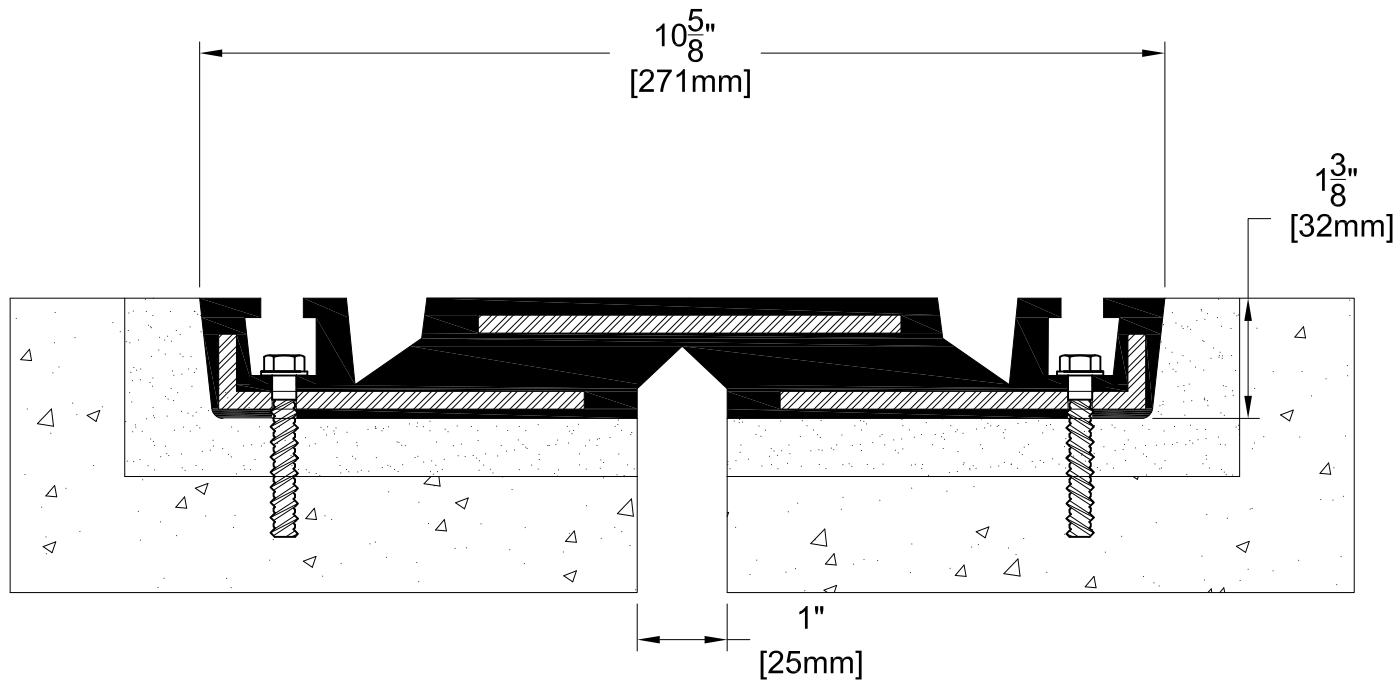


LGS01 SYSTEM



TECHNICAL DATA	IMPERIAL (in)	METRIC (mm)
Joint Width	1"	25
Sight Line	10-5/8"	271
Frame Height	1-1/8"	32
Movement ± (Horizontal)	3/4"	19
Movement ± (Vertical)	1/8"	2.5
Load	67.4 ton	600 kN

Date: Jan., 2012 Scale: NTS

Rev: Drawn by :

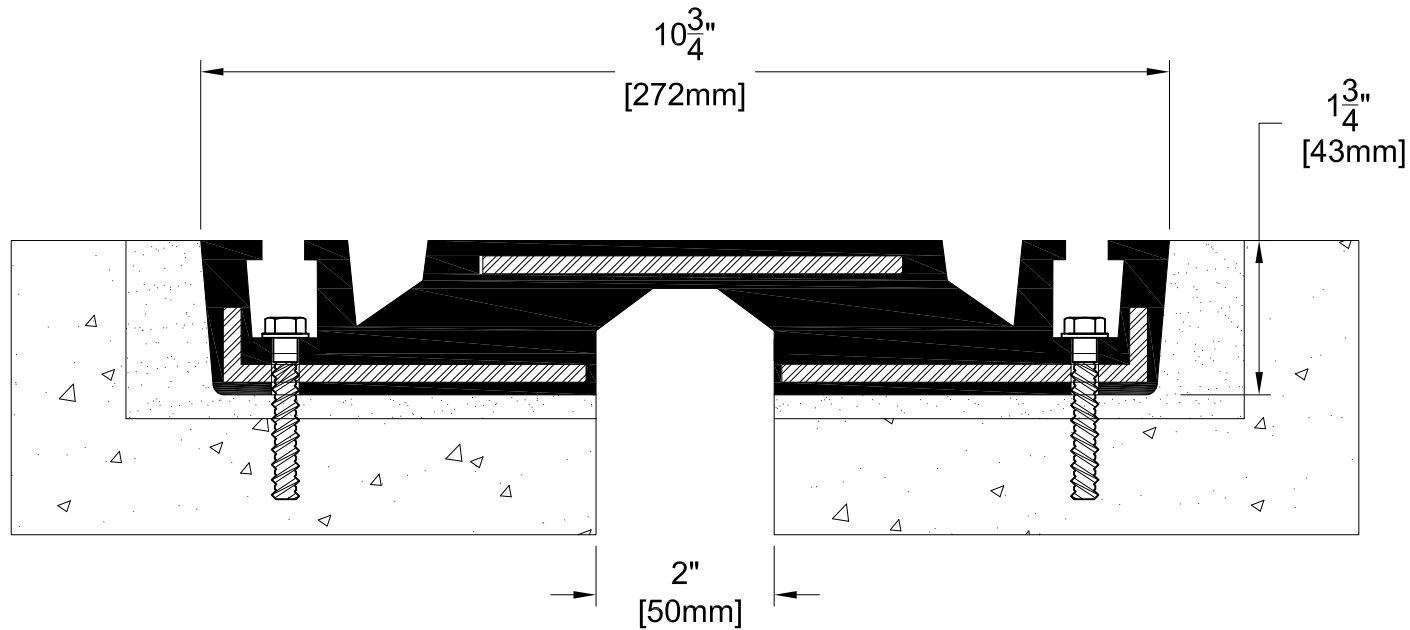
APPLICATION: Architectural Compression Sea for Parking Deck and Bridge Deck



PROSPEC SPECIALTIES INC.
 3601 HIGHWAY 7, SUITE 400
 MARKHAM ON L3R 0M3, CANADA.
 TEL: (888) - 749 - 8456,
 FAX: (888) - 749 - 8455
 Email: info@prospecspecialties.com
 Web: prospecspecialties.com

Disclaimer: As Prospec Specialties' Policy is one of continual technical progress for the improvement of the company's services to its customers, the company reserves the right to modify the Designs of its products without notice.

LGS02 SYSTEM



TECHNICAL DATA	IMPERIAL (in)	METRIC (mm)
Joint Width	2"	50
Sight Line	10-3/4"	272
Frame Height	1-3/4"	43
Movement ± (Horizontal)	1-5/8"	40
Movement ± (Vertical)	1/8"	2.5
Load	67.4 ton	600 kN

Date: Jan., 2012 Scale: NTS

Rev: Drawn by :

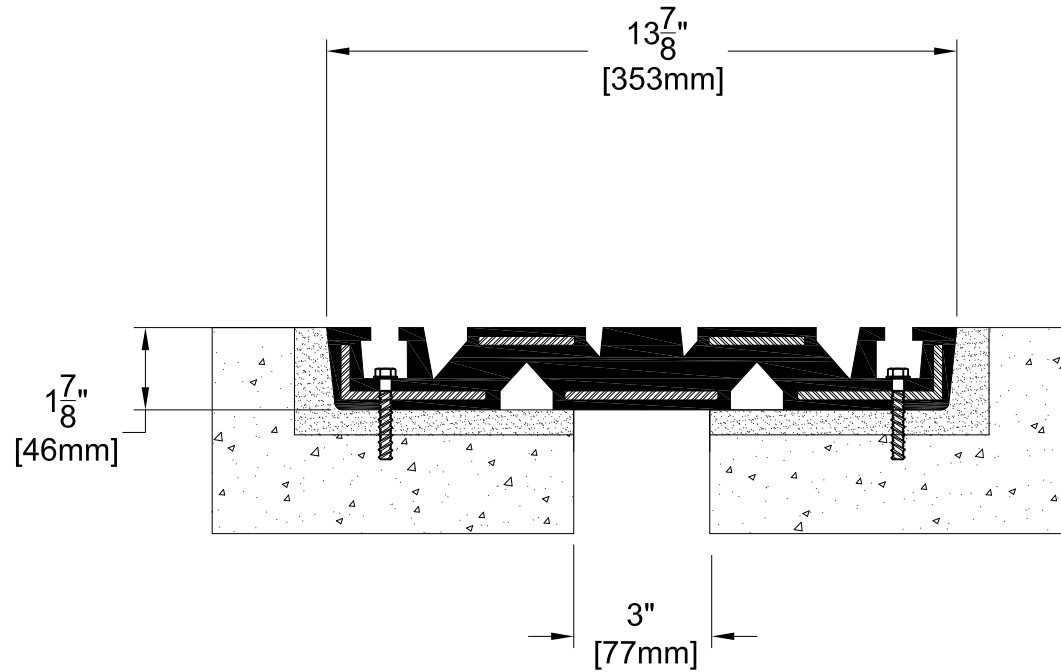
APPLICATION: Architectural Compression Seal for Parking Deck and Bridge Deck



PROSPEC SPECIALTIES INC.
 3601 HIGHWAY 7, SUITE 400
 MARKHAM ON L3R 0M3, CANADA.
 TEL: (888) - 749 - 8456,
 FAX: (888) - 749 - 8455
 Email: info@prospecspecialties.com
 Web: prospecspecialties.com

Disclaimer: As Prospec Specialties' Policy is one of continual technical progress for the improvement of the company's services to its customers, the company reserves the right to modify the Designs of its products without notice.

LGS03 SYSTEM



TECHNICAL DATA	IMPERIAL (in)	METRIC (mm)
Joint Width	3"	75
Sight Line	13-7/8"	353
Frame Height	1-7/8"	46
Movement ± (Horizontal)	2"	51
Movement ± (Vertical)	1/8"	2.5
Load	67.4 ton	600 kN

Date: Jan., 2012 Scale: NTS

Rev: Drawn by :

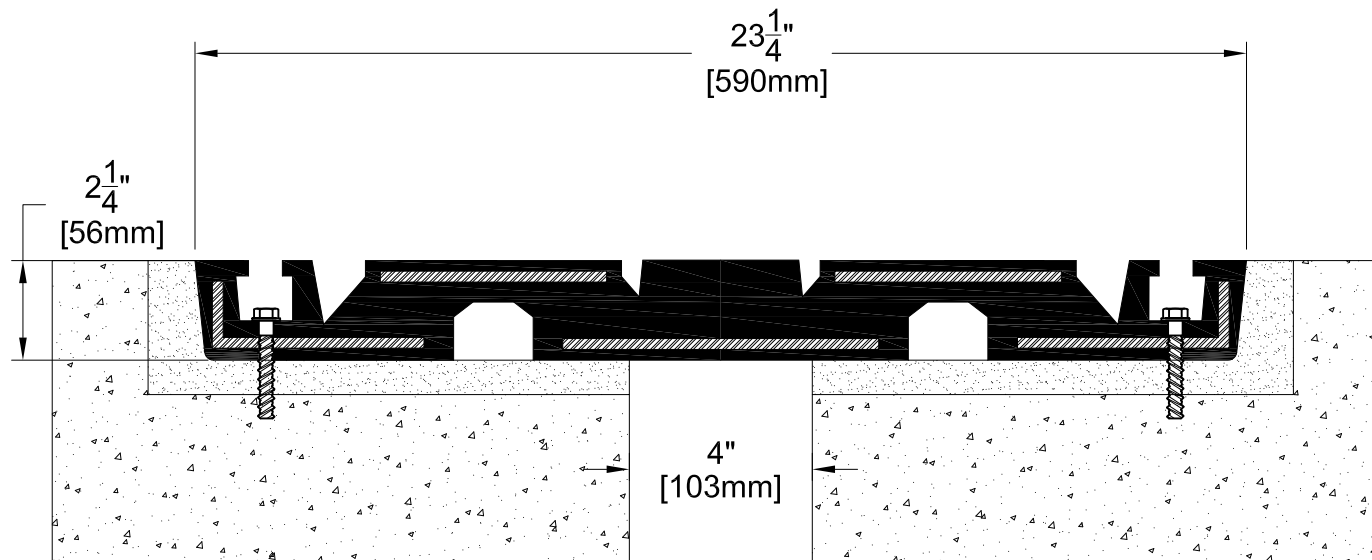
APPLICATION: Architectural Compression Seal for Parking Deck and Bridge Deck



PROSPEC SPECIALTIES INC.
 3601 HIGHWAY 7, SUITE 400
 MARKHAM ON L3R 0M3, CANADA.
 TEL: (888) - 749 - 8456,
 FAX: (888) - 749 - 8455
 Email: info@prospecspecialties.com
 Web: prospecspecialties.com

Disclaimer: As Prospec Specialties' Policy is one of continual technical progress for the improvement of the company's services to its customers, the company reserves the right to modify the Designs of its products without notice.

LGS04 SYSTEM



TECHNICAL DATA	IMPERIAL (in)	METRIC (mm)
Joint Width	4"	100
Sight Line	23-1/8"	589
Frame Height	2-1/4"	56
Movement ± (Horizontal)	3-1/4"	83
Movement ± (Vertical)	1/8"	2.5
Load	67.4 ton	600 kN
Date: Jan., 2012	Scale:	NTS
Rev:	Drawn by :	

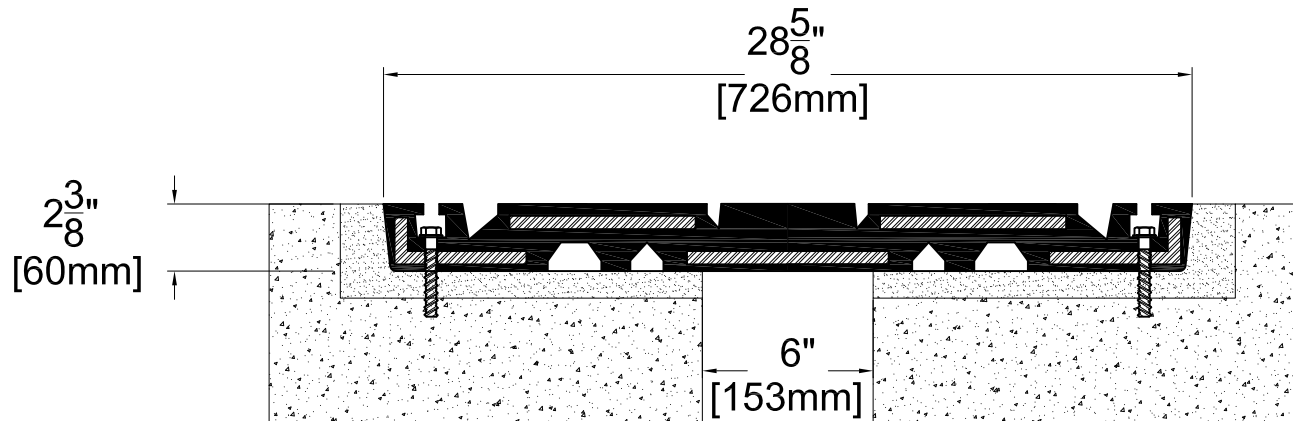
APPLICATION: Architectural Compression Seal for Parking Deck and Bridge Deck



PROSPEC SPECIALTIES INC.
 3601 HIGHWAY 7, SUITE 400
 MARKHAM ON L3R 0M3, CANADA.
 TEL: (888) - 749 - 8456,
 FAX: (888) - 749 - 8455
 Email: info@prospecspecialties.com
 Web: prospecspecialties.com

Disclaimer: As Prospec Specialties' Policy is one of continual technical progress for the improvement of the company's services to its customers, the company reserves the right to modify the Designs of its products without notice.

LGS06 SYSTEM



TECHNICAL DATA	IMPERIAL (in)	METRIC (mm)
Joint Width	6"	150
Sight Line	28-5/8"	726
Frame Height	2-3/8"	60
Movement ± (Horizontal)	4-1/2"	115
Movement ± (Vertical)	1/8"	2.5
Load	67.4 ton	600 kN
Date: Jan., 2012	Scale:	NTS
Rev:	Drawn by :	

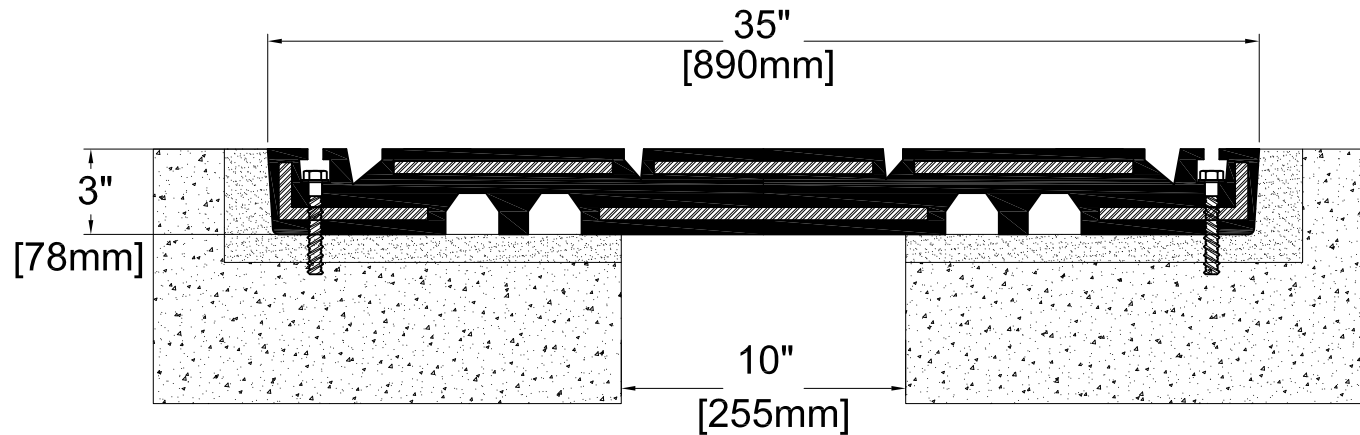
APPLICATION: Architectural Compression Seal for Parking Deck and Bridge Deck



PROSPEC SPECIALTIES INC.
 3601 HIGHWAY 7, SUITE 400
 MARKHAM ON L3R 0M3, CANADA.
 TEL: (888) - 749 - 8456,
 FAX: (888) - 749 - 8455
 Email: info@prospecspecialties.com
 Web: prospecspecialties.com

Disclaimer: As Prospec Specialties' Policy is one of continual technical progress for the improvement of the company's services to its customers, the company reserves the right to modify the Designs of its products without notice.

LGS10 SYSTEM



TECHNICAL DATA	IMPERIAL (in)	METRIC (mm)
Joint Width	6"	150
Sight Line	28-5/8"	726
Frame Height	2-3/8"	60
Movement ± (Horizontal)	4-1/2"	115
Movement ± (Vertical)	1/8"	2.5
Load	67.4 ton	600 kN

Date: Jan., 2012 Scale: NTS
 Rev: Drawn by :

APPLICATION: Architectural Compression Seal for Parking Deck and Bridge Deck



PROSPEC SPECIALTIES INC.
 3601 HIGHWAY 7, SUITE 400
 MARKHAM ON L3R 0M3, CANADA.
 TEL: (888) - 749 - 8456,
 FAX: (888) - 749 - 8455
 Email: info@prospecspecialties.com
 Web: prospecspecialties.com

Disclaimer: As Prospec Specialties' Policy is one of continual technical progress for the improvement of the company's services to its customers, the company reserves the right to modify the Designs of its products without notice.