

"V" Series

A transition joint system with a single component profile and perforated anchoring leg, designed for smooth transition and bridging both floors.

1. Install the Transitional Joint System as joint spacer and edge protection for tile coverings that are typically bordered by carpet.

2. Prior to the installation of the system, make sure that the top of the concrete slab must be thoroughly cleared, solid, even, leveled, hard and completely set-up layout for the profile system. Select the profile according to tile thickness.

Figure 1:

3. Using a trowel, apply mortar to the area where the profile is to be placed. Position the profile and press the perforated anchoring leg into the mortar and align up to the required level.

Figure 2:

4. Apply additional mortar using trowel and spread over the perforated anchoring leg to secure and support the tile edges.

Figure 3:

5. Place and set the tiles solidly so that the tiled surface is flush with the top level of (VAS/VBS/VSS) system profiles, which ensures a uniform joint and the profile is not higher than the tiled surfaces.

6. Clean the exposed surfaces of the profile.

- VAS (Aluminum) System
- VBS (Brass) System

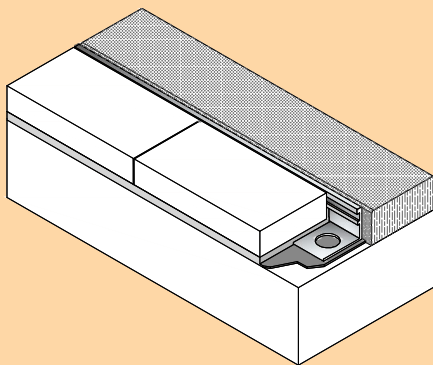


Fig. 1

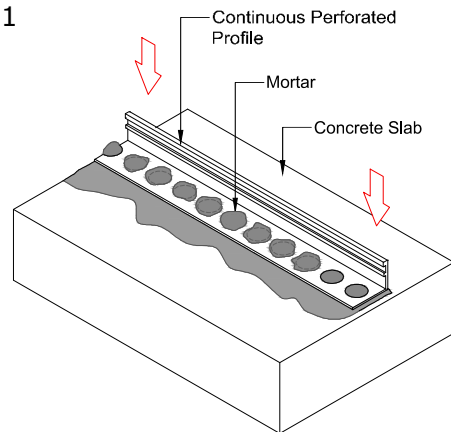


Fig. 2

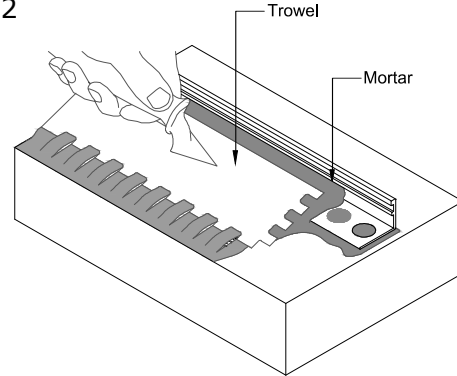
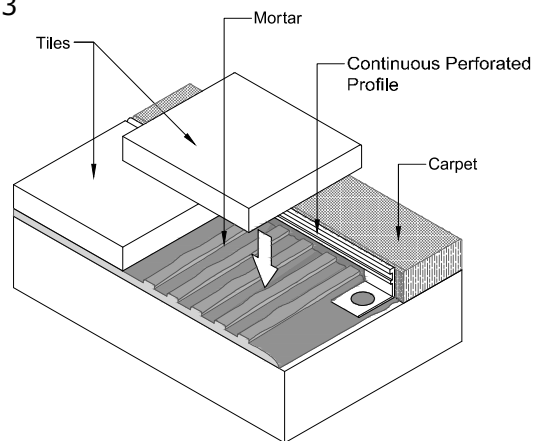


Fig. 3



- VSS (Stainless Steel) System

