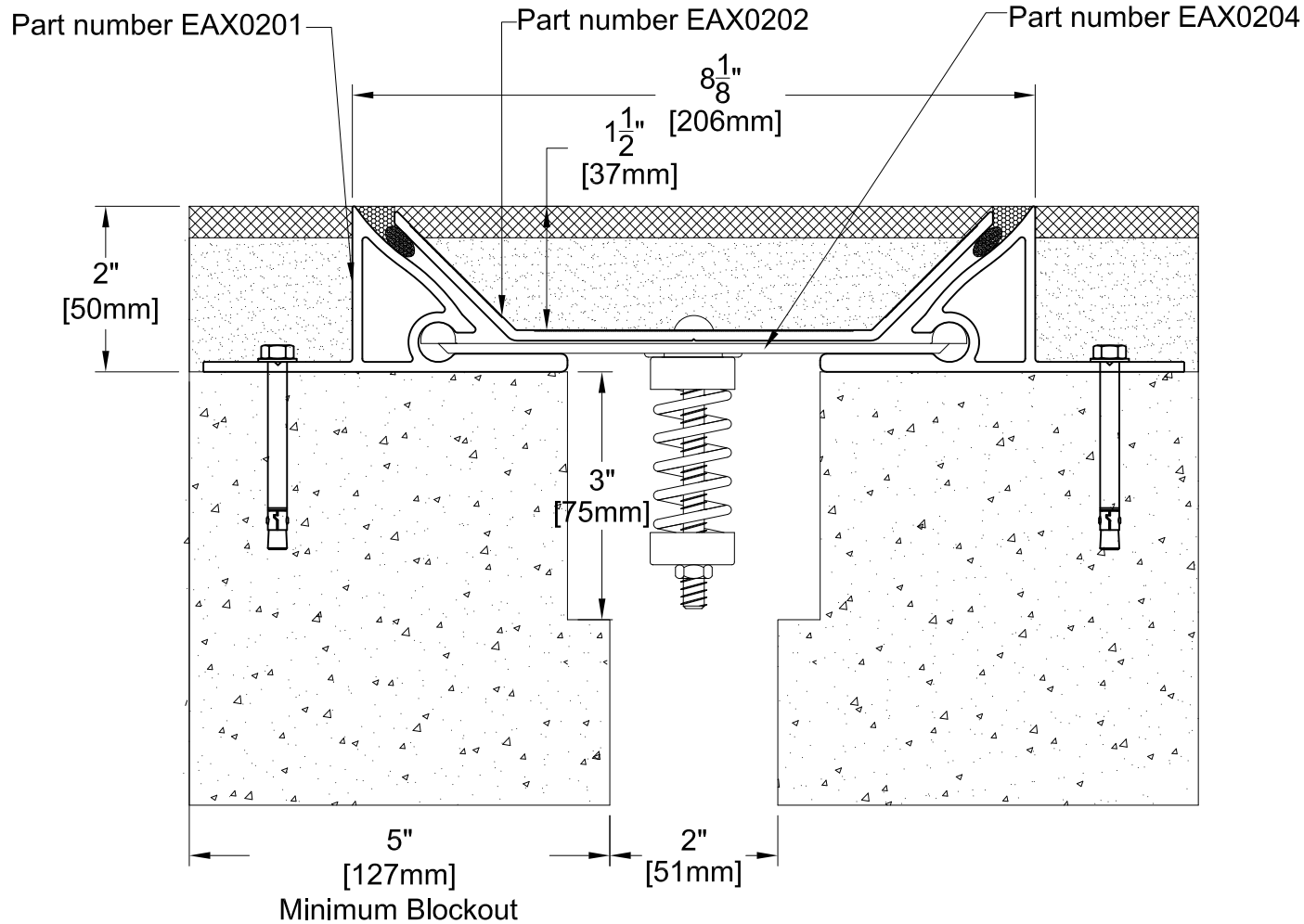


# EAS02 SYSTEM



TECHNICAL DATA	IMPERIAL (in)	METRIC (mm)
Joint Width	2"	51
Movement ± (Horizontal)	2"	51
Movement ± (Vertical)	1/4"	6
Load	3 (Tons)	
Date: Jan., 2012	Scale: NTS	
Rev:	Drawn by :	

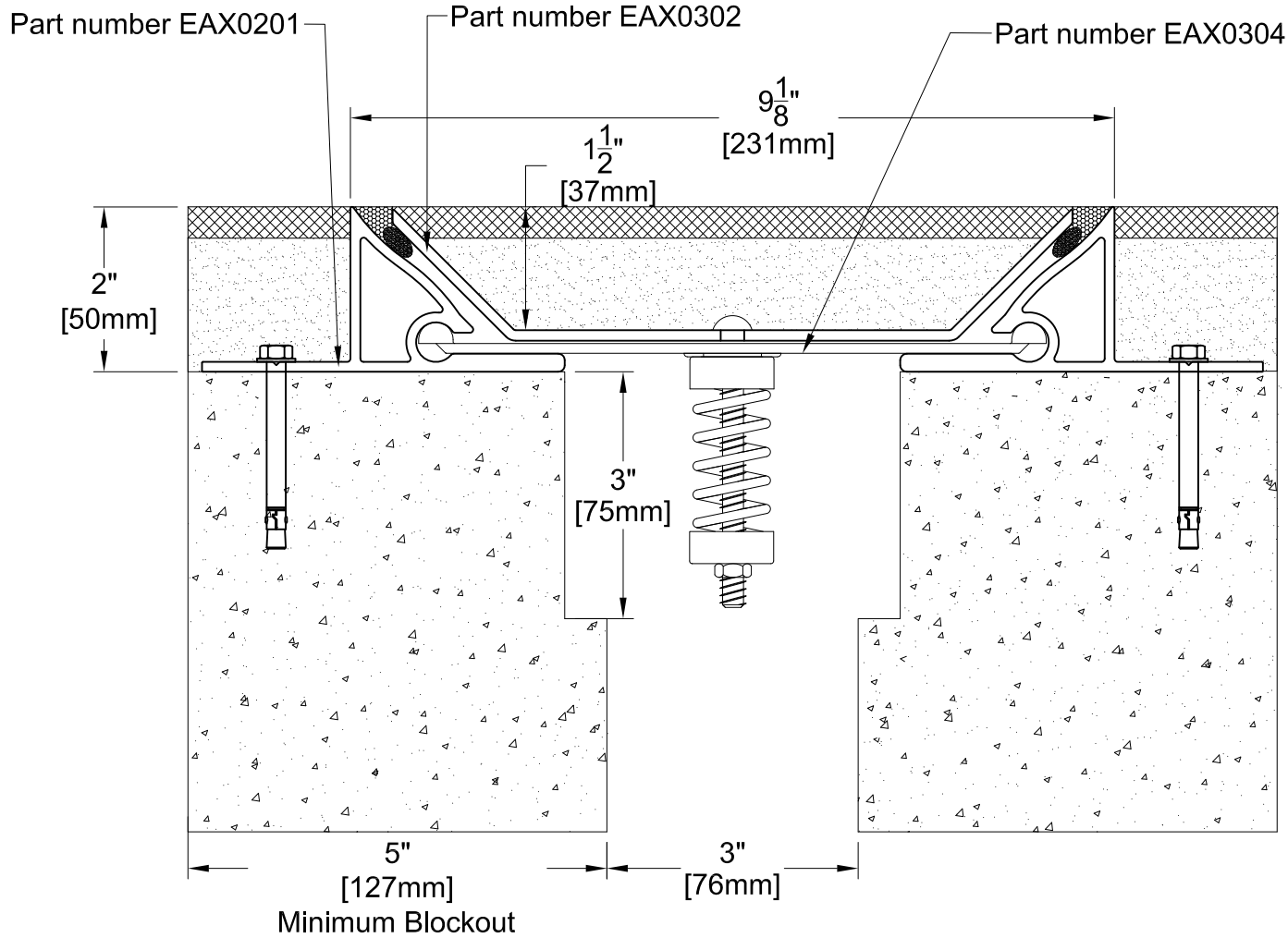
**Application:**  
Expansion Joint Cover for Floor to Floor



**PROSPEC SPECIALTIES INC.**  
3601 HIGHWAY 7, SUITE 400  
MARKHAM ON L3R 0M3, CANADA.  
Tel: (888) - 749 - 8456,  
Fax: (888) - 749 - 8455  
Email: [info@prospecspecialties.com](mailto:info@prospecspecialties.com)  
Web: [prospecspecialties.com](http://prospecspecialties.com)

**Disclaimer:** As Prospec Specialties' Policy is one of continual technical progress for the improvement of the company's services to its customers, the company reserves the right to modify the Designs of its products without notice.

# EAS03 SYSTEM



TECHNICAL DATA	IMPERIAL (in)	METRIC (mm)
Joint Width	3"	76
Movement ± (Horizontal)	3"	76
Movement ± (Vertical)	3/8"	10
Load	2 (Tons)	
Date: Jan., 2012	Scale: NTS	
Rev:	Drawn by :	

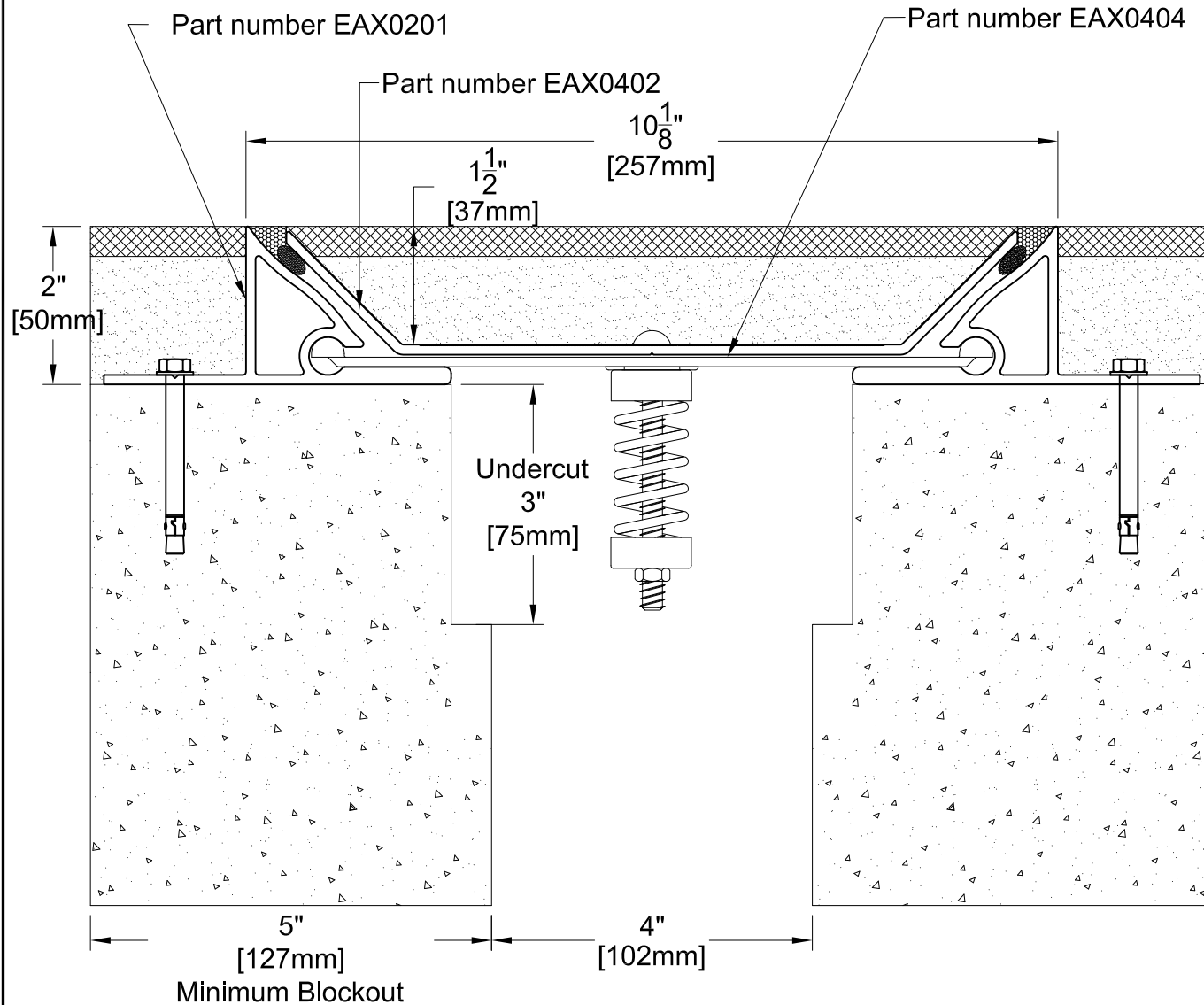
**Application:**  
Expansion Joint Cover for Floor to Floor



**PROSPEC SPECIALTIES INC.**  
3601 HIGHWAY 7, SUITE 400  
MARKHAM ON L3R 0M3, CANADA.  
Tel: (888) - 749 - 8456,  
Fax: (888) - 749 - 8455  
Email: [info@prospecspecialties.com](mailto:info@prospecspecialties.com)  
Web: [prospecspecialties.com](http://prospecspecialties.com)

**Disclaimer:** As Prospec Specialties' Policy is one of continual technical progress for the improvement of the company's services to its customers, the company reserves the right to modify the Designs of its products without notice.

# EAS04 SYSTEM



TECHNICAL DATA	IMPERIAL (in)	METRIC (mm)
Joint Width	4"	102
Movement ± (Horizontal)	4"	102
Movement ± (Vertical)	1/2"	13
Load	1 (Ton)	
Date: Jan., 2012	Scale: NTS	
Rev:	Drawn by :	

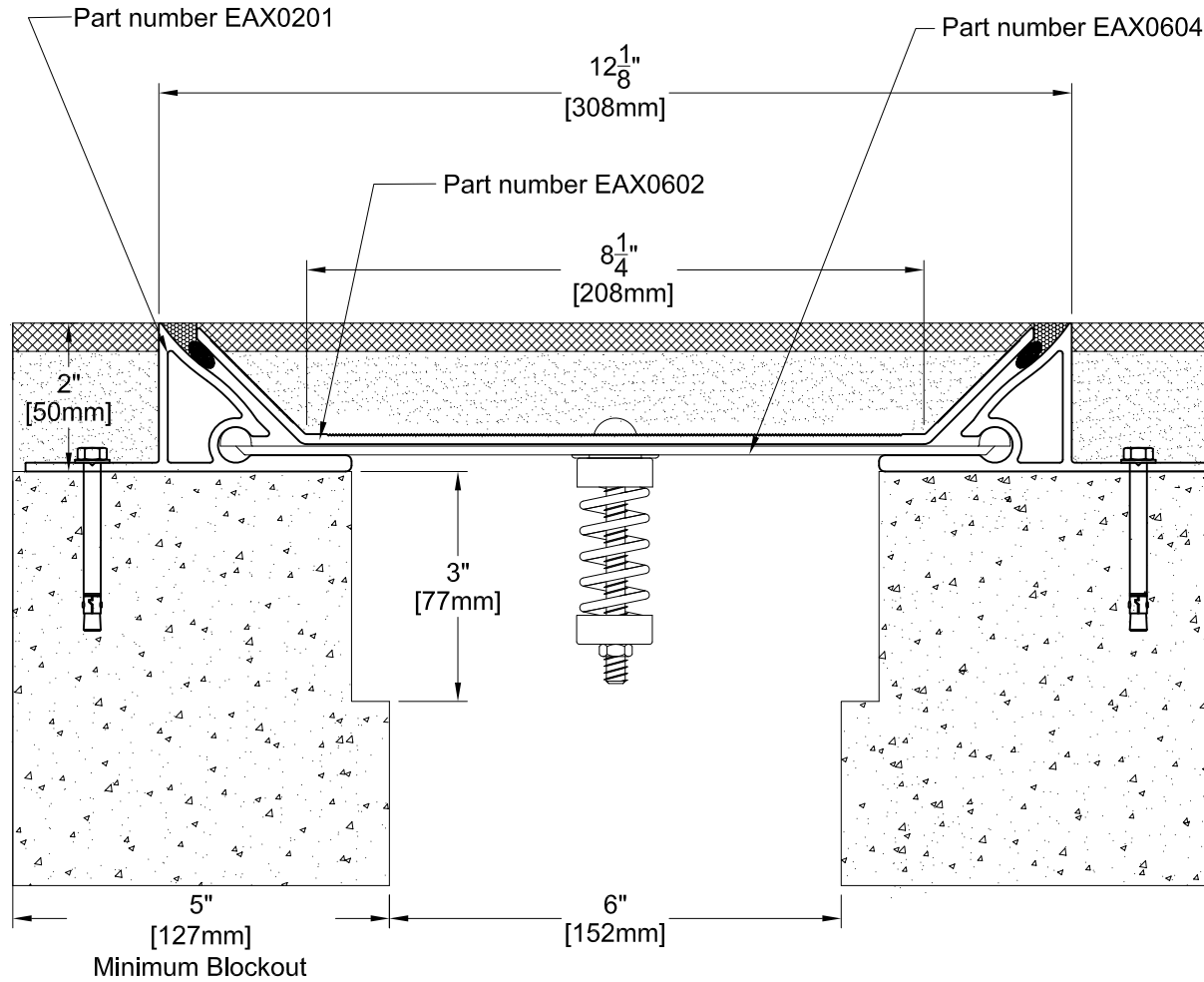
**Application:**  
Expansion Joint Cover for Floor to Floor



**PROSPEC SPECIALTIES INC.**  
3601 HIGHWAY 7, SUITE 400  
MARKHAM ON L3R 0M3, CANADA.  
Tel: (888) - 749 - 8456,  
Fax: (888) - 749 - 8455  
Email: [info@prospecspecialties.com](mailto:info@prospecspecialties.com)  
Web: [prospecspecialties.com](http://prospecspecialties.com)

**Disclaimer:** As Prospec Specialties' Policy is one of continual technical progress for the improvement of the company's services to its customers, the company reserves the right to modify the Designs of its products without notice.

# EAS06 SYSTEM



TECHNICAL DATA	IMPERIAL (in)	METRIC (mm)
Joint Width	6"	151
Movement ± (Horizontal)	6"	151
Movement ± (Vertical)	3/4"	19
Load	1 (Ton)	
Date: April., 2013	Scale: NTS	
Rev: 01	Drawn by: NP	

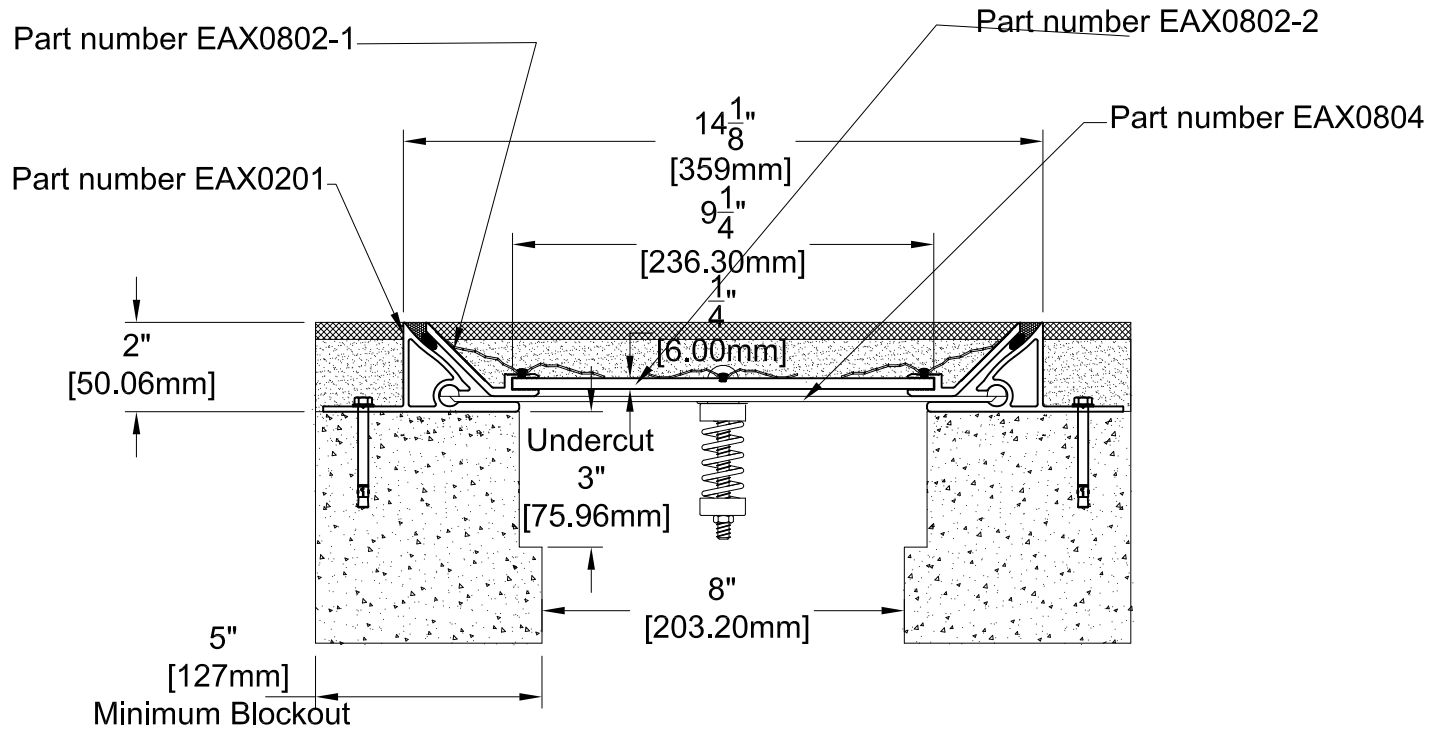
**Application:**  
Expansion Joint Cover for Floor to Floor



**PROSPEC SPECIALTIES INC.**  
3601 HIGHWAY 7, SUITE 400  
MARKHAM ON L3R 0M3, CANADA.  
Tel: (888) - 749 - 8456,  
Fax: (888) - 749 - 8455  
Email: [info@prospecspecialties.com](mailto:info@prospecspecialties.com)  
Web: [prospecspecialties.com](http://prospecspecialties.com)

**Disclaimer:** As Prospec Specialties' Policy is one of continual technical progress for the improvement of the company's services to its customers, the company reserves the right to modify the Designs of its products without notice.

# EAS08 SYSTEM



TECHNICAL DATA	IMPERIAL (in)	METRIC (mm)
Joint Width	8"	203
Movement ± (Horizontal)	8"	203
Movement ± (Vertical)	1"	25
Load	1 (Ton)	
Date Jan., 2012	Scale: NTS	
Rev:	Drawn by :	

**Application:**  
Expansion Joint Cover for Floor to Floor



**PROSPEC SPECIALTIES INC.**  
3601 HIGHWAY 7, SUITE 400  
MARKHAM ON L3R 0M3, CANADA.  
Tel: (888) - 749 - 8456,  
Fax: (888) - 749 - 8455  
Email: [info@prospecspecialties.com](mailto:info@prospecspecialties.com)  
Web: [prospecspecialties.com](http://prospecspecialties.com)

**Disclaimer:** As Prospec Specialties' Policy is one of continual technical progress for the improvement of the company's services to its customers, the company reserves the right to modify the Designs of its products without notice.