

**Product and Company Identification**

Product Name: **DA Series**  
 Manufacturer's Name: **Prospec Specialties Inc.**  
 Suite 400, 3601, Highway 7,  
 Markham ON, L3R 0M3, Canada  
 Emergency #: (888) 749-8456  
 Date Prepared: June, 2013

**Table 1: System Details**

Application	Code	JO	SH	SW	WH	± Movement (%)			Load (Ton)
		Millimeter				Horizontal	Vertical	Shear	
Straight ( S )	DAS 02	51	33	226	*	50	50	Excellent	*
	DAS 03	76	33	251	*	50	50	Excellent	*
	DAS 04	102	33	277	*	50	50	Excellent	*
	DAS 06	152	33	327	*	50	50	Excellent	*
	DAS 08	203	33	378	*	50	50	Excellent	*
	DAS 12	305	33	400	*	50	50	Excellent	*
Corner ( C )	DAC 02	51	33	140	51	50	50	Excellent	*
	DAC 03	76	33	165	51	50	50	Excellent	*
	DAC 04	102	33	200	51	50	50	Excellent	*
	DAC 06	152	33	250	51	50	50	Excellent	*
	DAC 08	203	33	300	51	50	50	Excellent	*
	DAC 12	305	33	400	51	50	50	Excellent	*

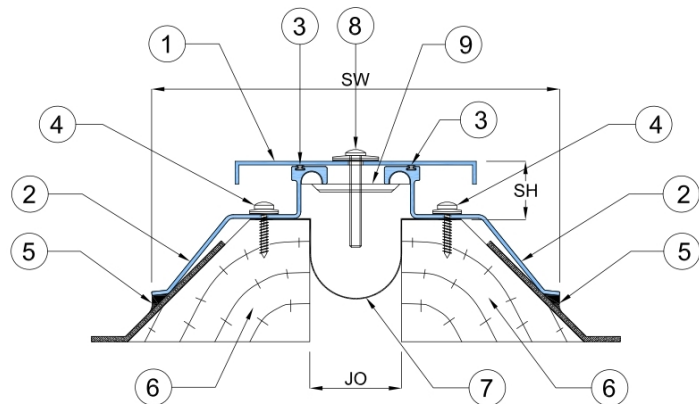
**JO** = Joint Opening  
**BO** = Block-out (min.)

**SH** = System Height  
**WH** = Wall Height (approx.)

**SW** = Sight Width

**Key to System Features (Straight Application)**

1. Continuous Aluminum Center plate, Grade 6063-T6
2. Continuous Aluminum base frame, Grade 6063-T6
3. Extruded Elastomeric Seals
4. Water tight Fixing Screw (by others)
5. Optional Caulking (by others)
6. Upstand (by others)
7. EPDM vapor barrier
8. Water tight center screw
9. Metal Centering Bar



**Key to System Features (Corner Application)**

1. Continuous Aluminum  
Corner plate, Grade 6063-T6
2. Continuous Aluminum  
base frame, Grade 6063-T6
3. Extruded Elastomeric Seal
4. Water tight Fixing Screw  
(by others)
5. Optional Caulking (by others)
6. Upstand (by others)
7. EPDM vapor barrier
8. Parapet Wall

