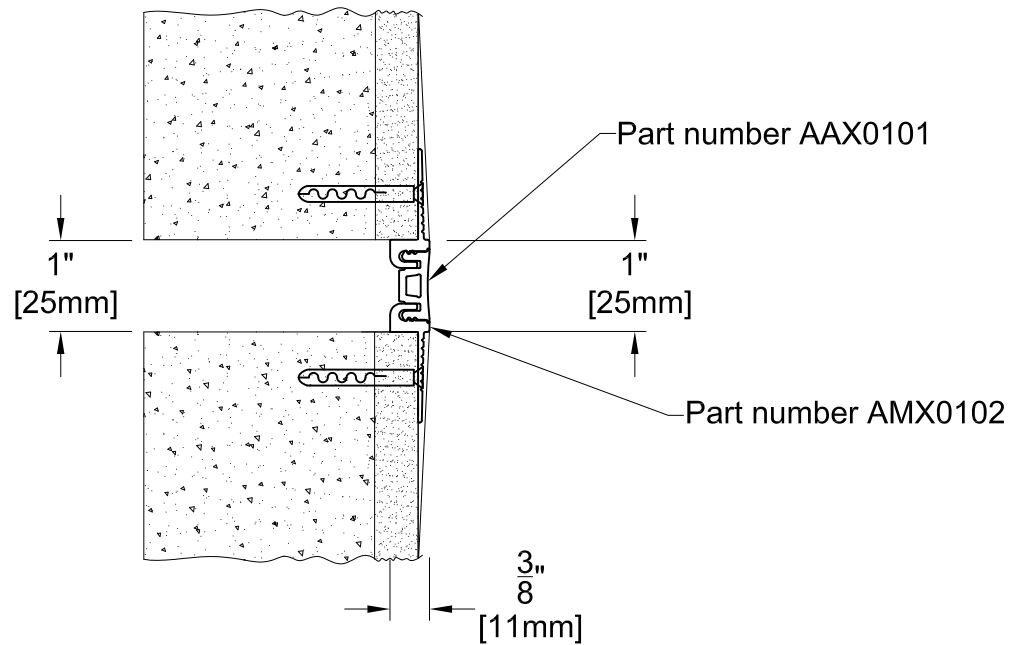


# AMS01 SYSTEM



TECHNICAL DATA	IMPERIAL (inc)	METRIC (mm)
Joint Width	1"	25
Movement ± (Horizontal)	1/4"	6
Movement ± (Vertical)	1/4"	6

Date: Jan., 2012 Scale: NTS

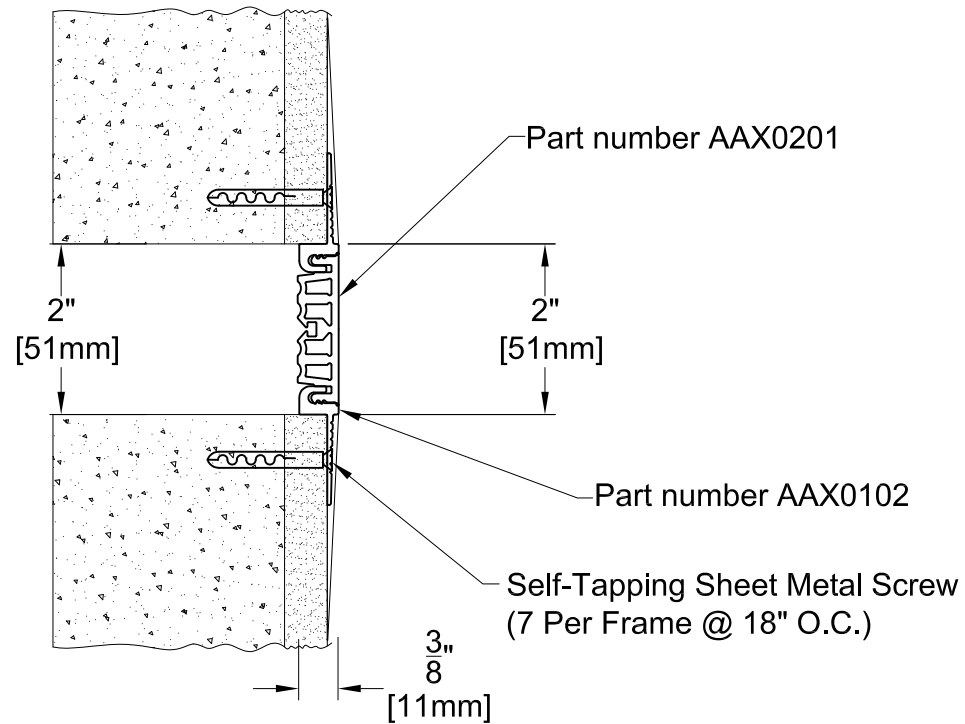
Rev: Drawn by :

**APPLICATION:**  
 RETRO FITTED INTERNAL EXPANSION JOINT  
 COVER FOR WALL TO WALL / CEILING TO  
 CEILING SUITABLE FOR INSTALLATION  
 UNDER WALL COVERING



**PROSPEC SPECIALTIES INC.**  
 3601 HIGHWAY 7, SUITE 400  
 MARKHAM ON L3R 0M3, CANADA.  
 TEL: (888) - 749 - 8456,  
 FAX: (888) - 749 - 8455  
 Email: info@prospecspecialties.com  
 Web: prospectspecialties.com

# AMS02 SYSTEM



TECHNICAL DATA	IMPERIAL (inc)	METRIC (mm)
Joint Width	2"	51
Movement ± (Horizontal)	1/2"	13
Movement ± (Vertical)	1/2"	13

Date: Jan., 2012      Scale: NTS

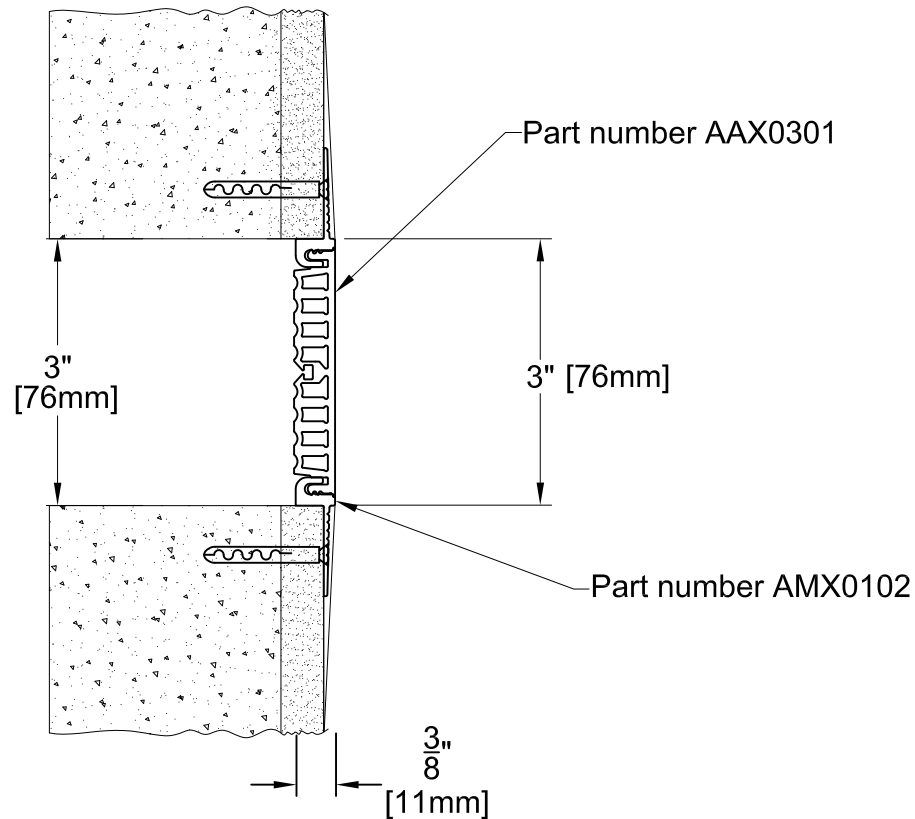
Rev:      Drawn by :

**APPLICATION:**  
 RETRO FITTED INTERNAL EXPANSION JOINT  
 COVER FOR WALL TO WALL / CEILING TO  
 CEILING SUITABLE FOR INSTALLATION  
 UNDER WALL COVERING



**PROSPEC SPECIALTIES INC.**  
 3601 HIGHWAY 7, SUITE 400  
 MARKHAM ON L3R 0M3, CANADA.  
 TEL: (888) - 749 - 8456,  
 FAX: (888) - 749 - 8455  
 Email: [info@prospecspecialties.com](mailto:info@prospecspecialties.com)  
 Web: [prospecspecialties.com](http://prospecspecialties.com)

# AMS03 SYSTEM



TECHNICAL DATA	IMPERIAL (inc)	METRIC (mm)
Joint Width	3"	76
Movement ± (Horizontal)	3/4"	19
Movement ± (Vertical)	3/4"	19

Date: Jan., 2012	Scale: NTS
Rev:	Drawn by :

**APPLICATION:**  
 RETRO FITTED INTERNAL EXPANSION JOINT COVER FOR WALL TO WALL / CEILING TO CEILING SUITABLE FOR INSTALLATION UNDER WALL COVERING



**PROSPEC SPECIALTIES INC.**  
 3601 HIGHWAY 7, SUITE 400  
 MARKHAM ON L3R 0M3, CANADA.  
 TEL: (888) - 749 - 8456,  
 FAX: (888) - 749 - 8455  
 Email: [info@prospecspecialties.com](mailto:info@prospecspecialties.com)  
 Web: [prospecspecialties.com](http://prospecspecialties.com)