

CBS/CBC Series

Note: Verify that the structural gap and blockout dimensions(if recess mounted) are in conformance with submittal data before beginning installation. If this is a Fire Rated Assembly, the fire barrier must be installed before the Architectural Joint System. Refer to the fire barrier instructions for specific system installation.

Fig. 1 (CBS Series, Wall to Wall shown)

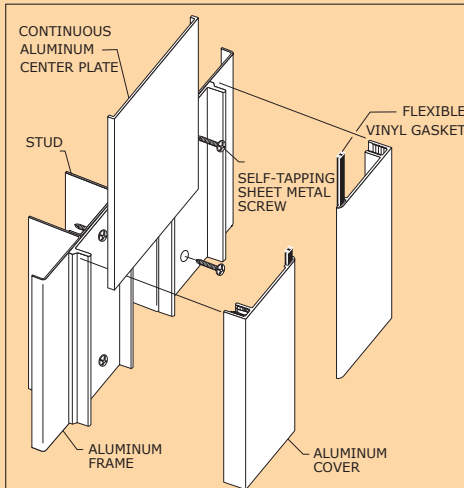


Fig. 2a (CBS completed installation)

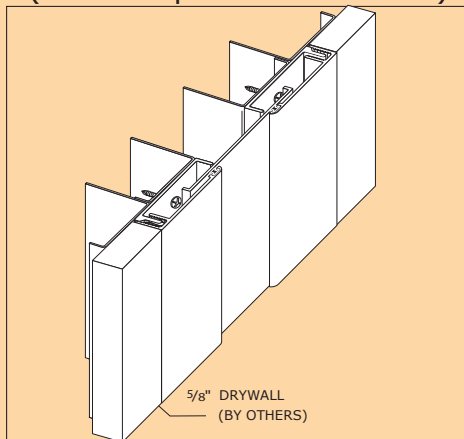
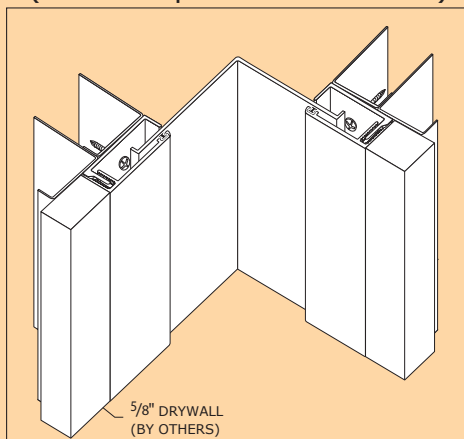


Fig. 2b (CBC completed installation)



1. Install the architectural joint system on a level surface, making sure top of the aluminium covers align with the finished floor height of the 5/8" drywall. Shims may be required to raise the top of the frames.

Figure 1

2. Cut the aluminium components to the desired length.
3. Slide the flexible vinyl gaskets into the aluminium covers.
4. Place the aluminum frames on both sides of the structural gap with the indented leg of the frames adjacent to the drywall. The aluminum frames should not extend over the edge of the structural gap. Align plumb. NOTE: Please refer to system specific details for frame spacing on wall to corner systems.
5. Secure the frames to the substrate with 50mmx3.5mm nominal diameter self drilling sheet metal screws, S-DD01 3.5 (HILTI).

Figure 2

6. Install 5/8" drywall adjacent to frames.
7. Clean the exposed surfaces with a non-solvent cleaner as required.