

**Product and Company Identification**

Product Name: **SA Series**  
 Manufacturer's Name: **Prospec Specialties Inc.**  
 Suite 400, 3601, Highway 7,  
 Markham ON, L3R 0M3, Canada  
 Emergency #: (888) 749-8456  
 Date Prepared: June, 2013

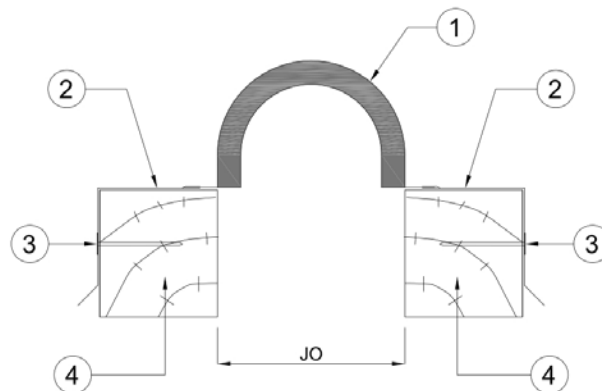
**Table 1: System Details**

Application	Code	JO	SH	SW	± Movement (%)			Load (Ton)
		Millimeter			Horizontal	Vertical	Shear	
Straight ( S )	SAS 02	51	*	*	50	50	Excellent	*
	SAS 03	76	*	*	50	50	Excellent	*
	SAS 04	102	*	*	50	50	Excellent	*
	SAS 06	152	*	*	50	50	Excellent	*
	SAS 08	203	*	*	50	50	Excellent	*
Corner ( C )	SAC 02	51	*	*	50	50	Excellent	*
	SAC 03	76	*	*	50	50	Excellent	*
	SAC 04	102	*	*	50	50	Excellent	*
	SAC 06	152	*	*	50	50	Excellent	*
	SAC 08	203	*	*	50	50	Excellent	*

**JO** = Joint Opening      **SH** = System Height      **SW** = Sight Width

**Key to System Features (Straight Application)**

1. Continuous Elastomeric bellows
2. Continuous Preformed metal curb flanges (50mmx50mm)
3. Roofing nails (by others)
4. Continuous Roof curb (by others)



**Key to System Features (Corner Application)**

- |   |  |
|---|--|
| 1. Continuous Elastomeric Bellows                         | 4. Continuous roof curb (by others)    |
| 2. Continuous Preformed metal curb<br>Flanges (50mmx50mm) | 5. Concrete Wall / Parapet (by others) |
| 3. Roofing nails (by others)                              | 6. Metal flashing, 100mm (by others)   |

