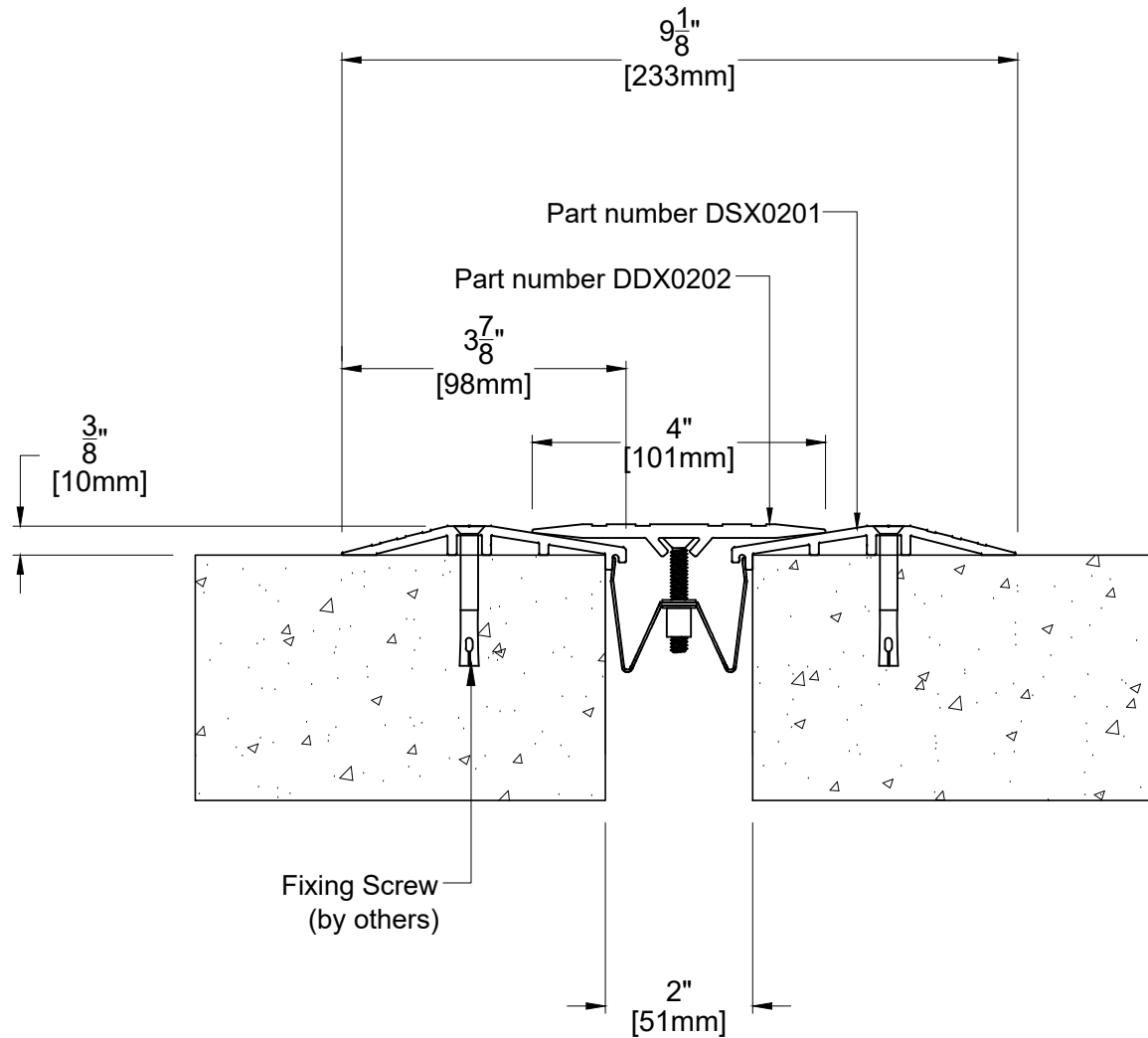


DSS02 SYSTEM



| TECHNICAL DATA | IMPERIAL (inc) | METRIC (mm) |
|-------------------------|-------------------|----------------|
| Joint Width | 2" | 51 |
| Movement ± (Horizontal) | 1" | 25 |
| Movement ± (Vertical) | 1/2" | 13 |
| Load: | 4 (Tons) | |
| Date: | Scale: NTS | |
| Rev: | Drawn by : | |

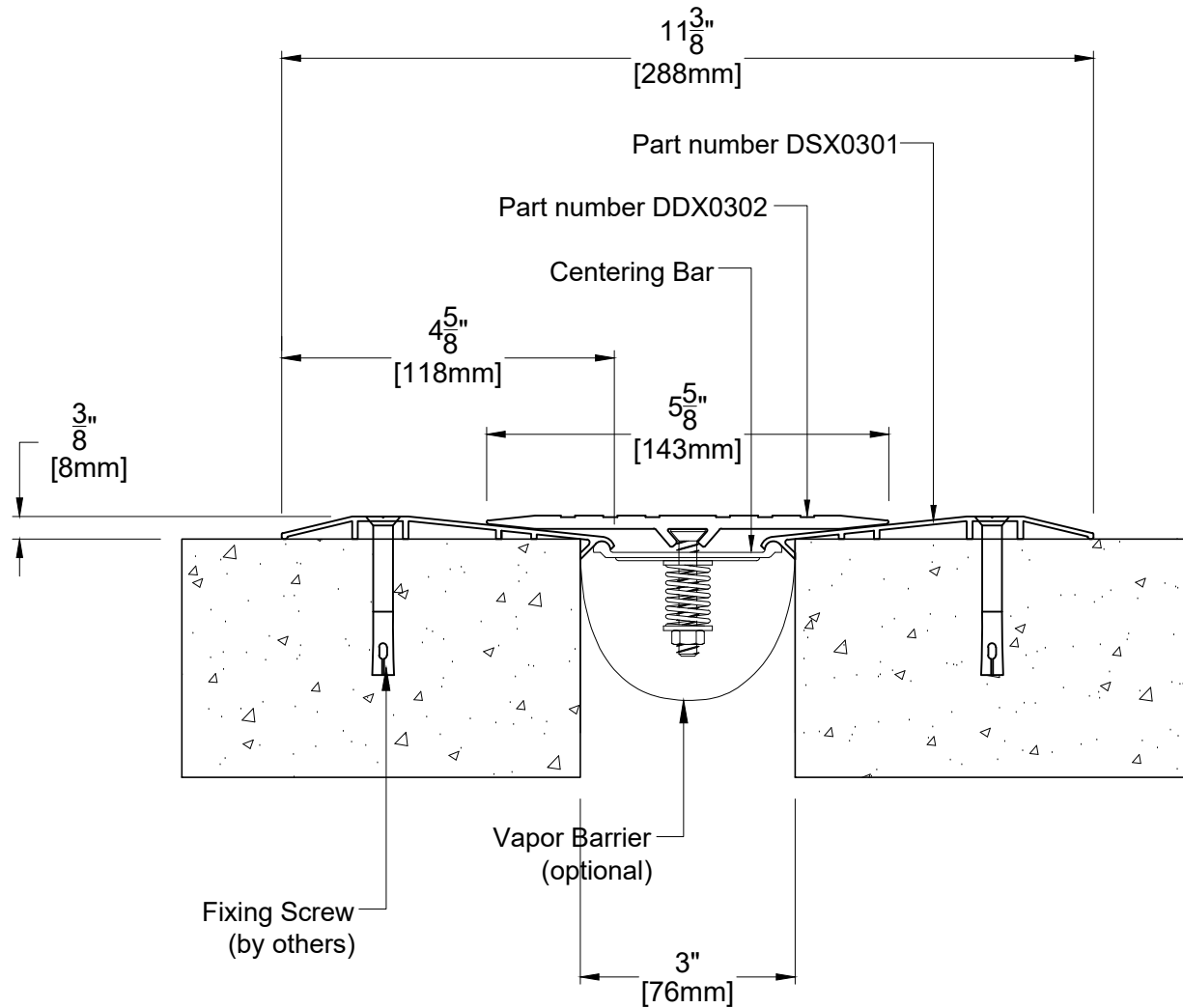
APPLICATION: Expansion Joint Cover for Floor to Floor Condition



PROSPEC SPECIALTIES INC.
 3601 HIGHWAY 7, SUITE 400
 MARKHAM ON L3R 0M3, CANADA.
 TEL: (888) - 749 - 8456,
 FAX: (888) - 749 - 8455
 Email: info@prospecspecialties.com
 Web: prospecspecialties.com

Disclaimer: As Prospec Specialties' Policy is one of continual technical progress for the improvement of the company's services to its customers, the company reserves the right to modify the Designs of its products without notice

DSS03 SYSTEM



| TECHNICAL DATA | IMPERIAL (inc) | METRIC (mm) |
|-------------------------|----------------|-------------|
| Joint Width | 3" | 76 |
| Movement ± (Horizontal) | 1-1/2" | 38 |
| Movement ± (Vertical) | 3/4" | 19 |
| Load: | 4 (Tons) | |
| Date: | Scale: NTS | |
| Rev: | Drawn by : | |

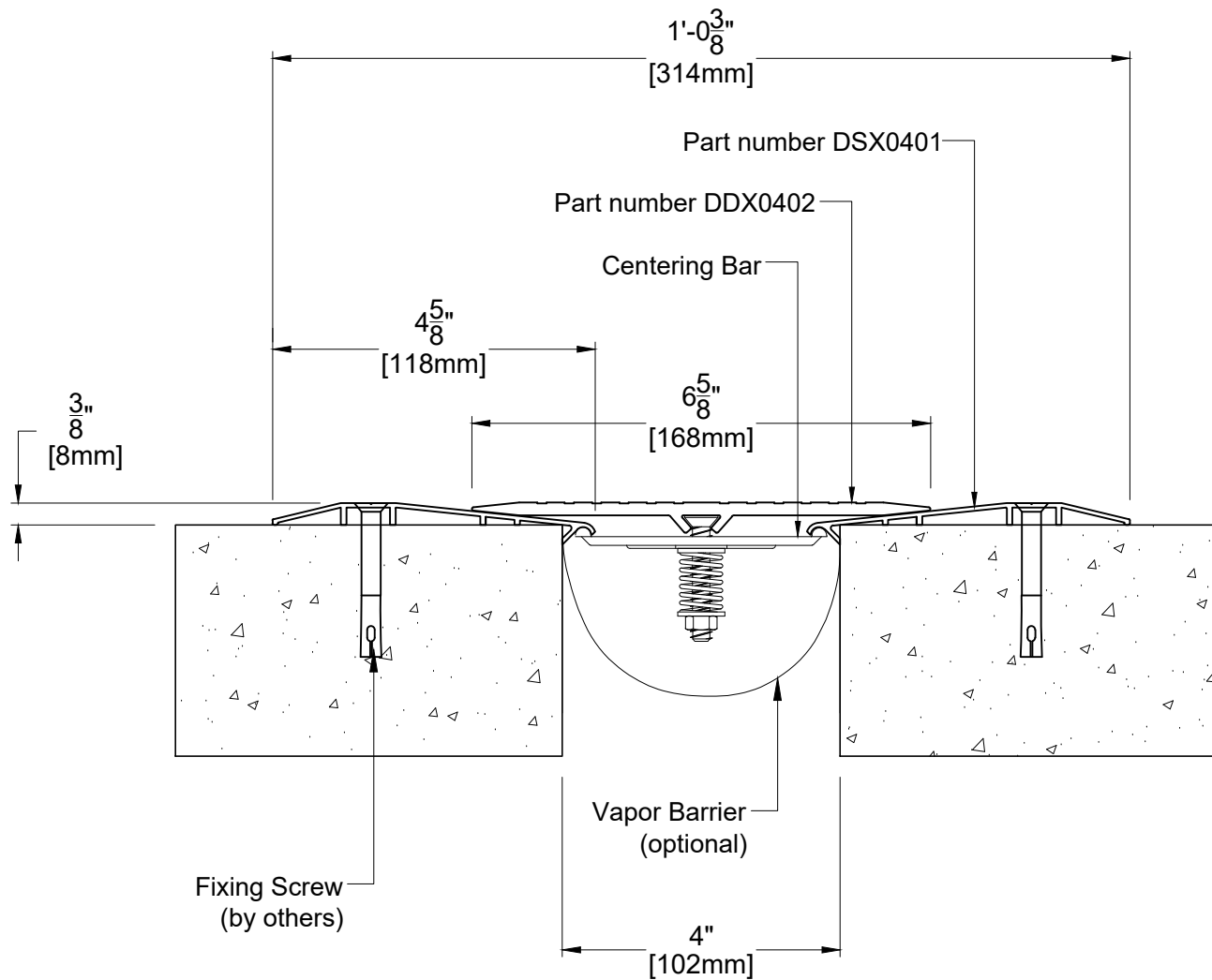
APPLICATION: Expansion Joint Cover for Floor to Floor Condition



PROSPEC SPECIALTIES INC.
 3601 HIGHWAY 7, SUITE 400
 MARKHAM ON L3R 0M3, CANADA.
 TEL: (888) - 749 - 8456,
 FAX: (888) - 749 - 8455
 Email: info@prospecspecialties.com
 Web: prospecspecialties.com

Disclaimer: As Prospec Specialties' Policy is one of continual technical progress for the improvement of the company's services to its customers, the company reserves the right to modify the Designs of its products without notice

DSS04 SYSTEM



| TECHNICAL DATA | IMPERIAL (inc) | METRIC (mm) |
|-------------------------|----------------|-------------|
| Joint Width | 4" | 102 |
| Movement ± (Horizontal) | 2" | 51 |
| Movement ± (Vertical) | 1" | 25 |
| Load: | 3 (Tons) | |
| Date: | Scale: NTS | |
| Rev: | Drawn by : | |

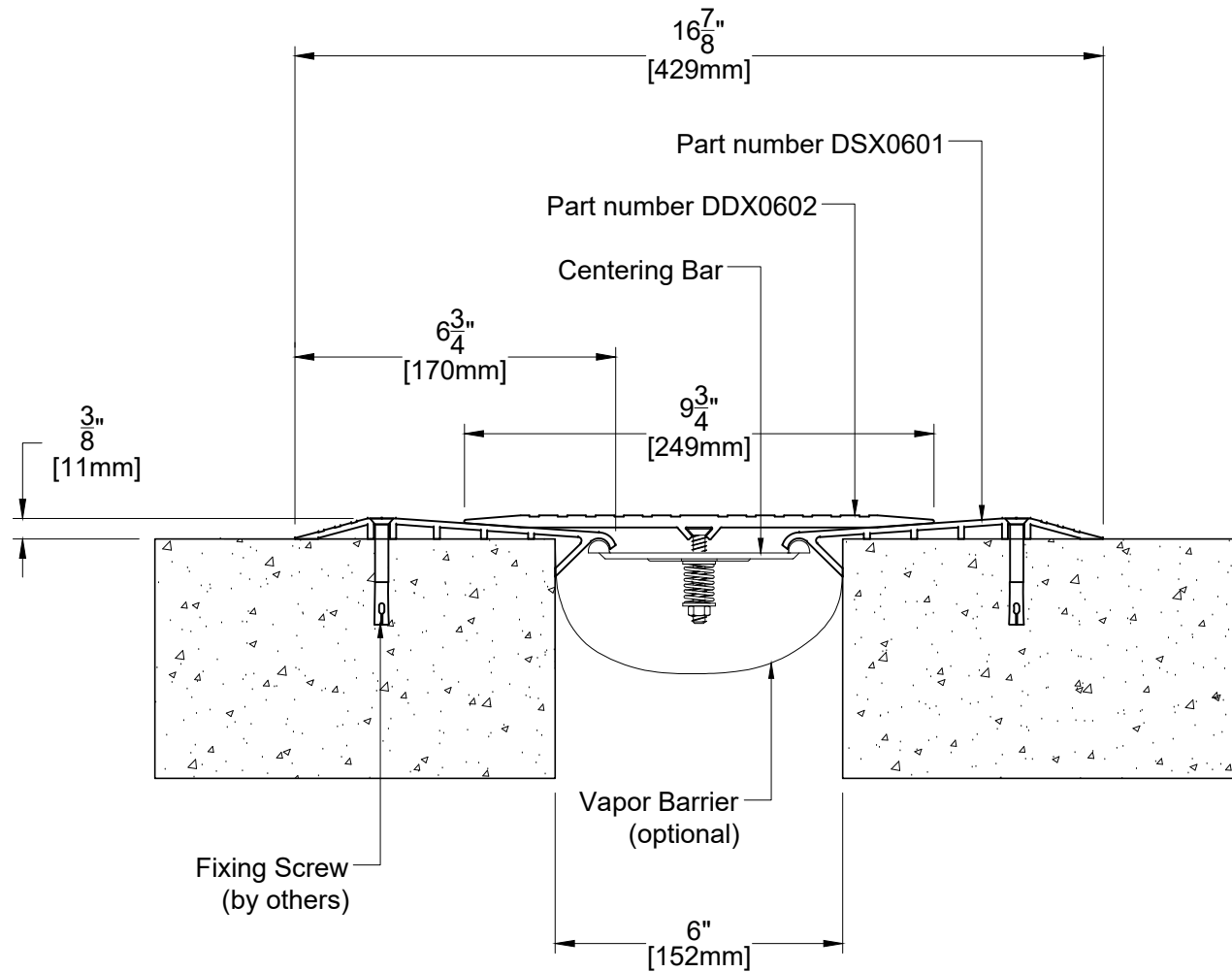
APPLICATION: Expansion Joint Cover for Floor to Floor Condition



PROSPEC SPECIALTIES INC.
 3601 HIGHWAY 7, SUITE 400
 MARKHAM ON L3R 0M3, CANADA.
 TEL: (888) - 749 - 8456,
 FAX: (888) - 749 - 8455
 Email: info@prospecspecialties.com
 Web: prospecspecialties.com

Disclaimer: As Prospec Specialties' Policy is one of continual technical progress for the improvement of the company's services to its customers, the company reserves the right to modify the Designs of its products without notice

DSS06 SYSTEM



| TECHNICAL DATA | IMPERIAL (inc) | METRIC (mm) |
|-------------------------|----------------|-------------|
| Joint Width | 6" | 152 |
| Movement ± (Horizontal) | 3" | 76 |
| Movement ± (Vertical) | 1-1/2" | 38 |
| Load: | 3 (Tons) | |
| Date: | Scale: NTS | |
| Rev: | Drawn by : | |

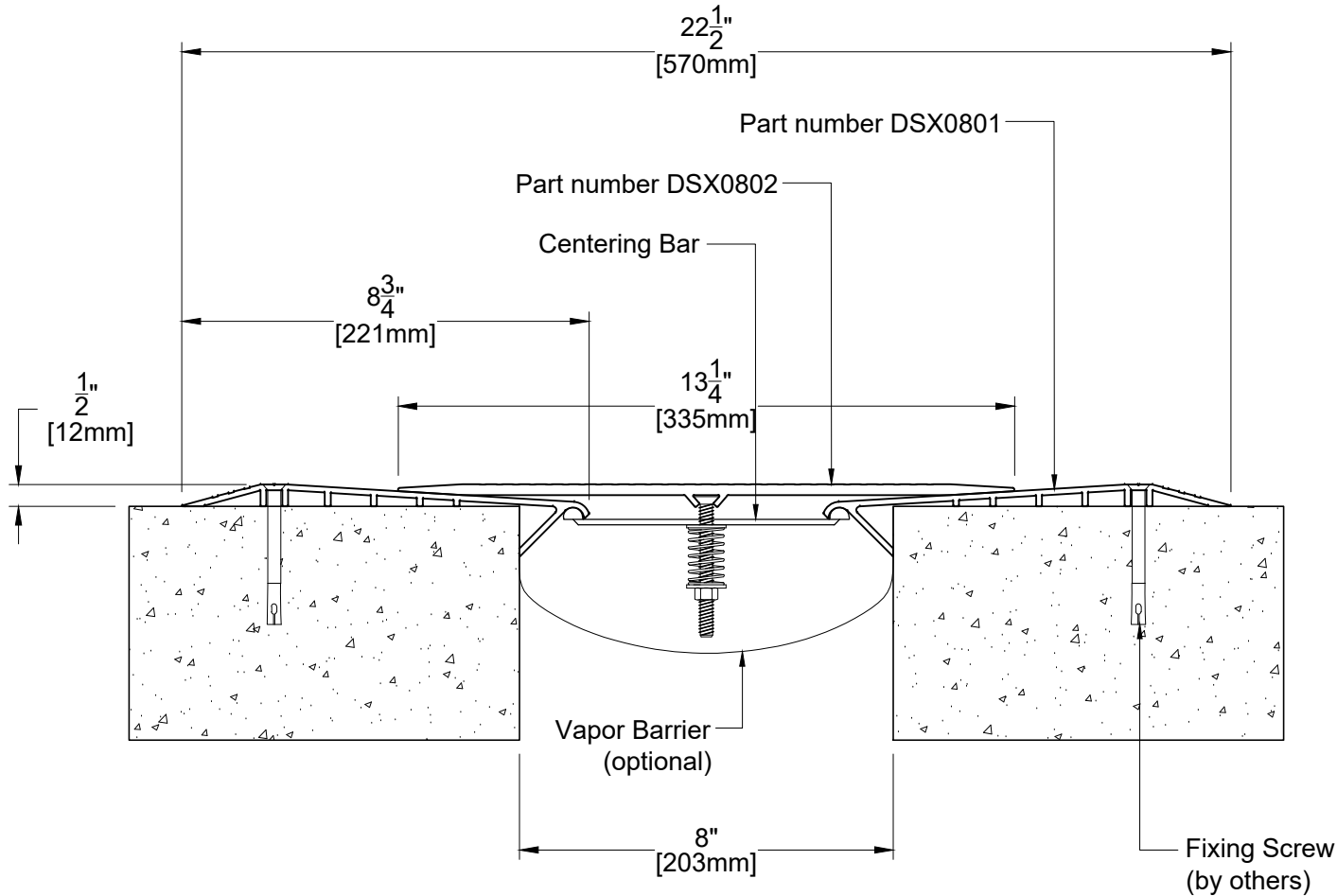
APPLICATION: Expansion Joint Cover for Floor to Floor Condition



PROSPEC SPECIALTIES INC.
 3601 HIGHWAY 7, SUITE 400
 MARKHAM ON L3R 0M3, CANADA.
 TEL: (888) - 749 - 8456,
 FAX: (888) - 749 - 8455
 Email: info@prospecspecialties.com
 Web: prospecspecialties.com

Disclaimer: As Prospec Specialties' Policy is one of continual technical progress for the improvement of the company's services to its customers, the company reserves the right to modify the Designs of its products without notice

DSS08 SYSTEM



| TECHNICAL DATA | IMPERIAL (inc) | METRIC (mm) |
|-------------------------|----------------|-------------|
| Joint Width | 8" | 203 |
| Movement ± (Horizontal) | 4" | 102 |
| Movement ± (Vertical) | 2" | 51 |
| Load: | 3 (Tons) | |
| Date: | Scale: NTS | |
| Rev: | Drawn by : | |

APPLICATION: Expansion Joint Cover for Floor to Floor Condition



PROSPEC SPECIALTIES INC.
 3601 HIGHWAY 7, SUITE 400
 MARKHAM ON L3R 0M3, CANADA.
 TEL: (888) - 749 - 8456,
 FAX: (888) - 749 - 8455
 Email: info@prospecspecialties.com
 Web: prospecspecialties.com

Disclaimer: As Prospec Specialties' Policy is one of continual technical progress for the improvement of the company's services to its customers, the company reserves the right to modify the Designs of its products without notice